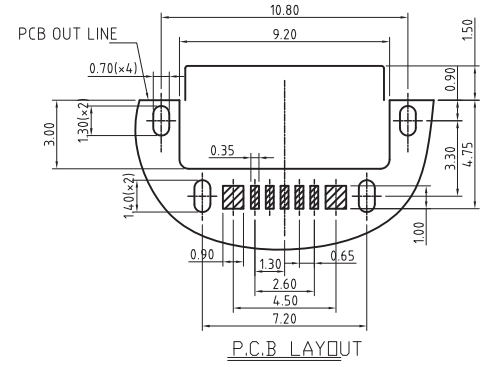


Notes:
 1. Dimension shall be interpreted per ASME Y14.5M1994.
 2. Dimension marked ∇ & \blacktriangledown should be checked by Q.C. and process, engineers and ∇ should also check the CPK data.

Specification:
 1. Current Rating: 1.0 AMP
 2. Voltage Rating: 30V AC,DC
 3. Dielectric Strength: 500V AC RMS for 1 minute.
 4. Contact Resistance: 30 mΩ Max.
 5. Insulator Resistance: 500M Ω Min. AT 250V DC.
 6. Mating/Unmating cycles: 2000cycles
 7. Temperature: -20°C to +60°C



3	Shell	1	SUS304R-1/2H Ti/Ni Plating T=0.30mm
2	Contact	5	Phosphor bronze C5210R-EH Au/Ni Plating T=0.20mm
1	Housing	1	PA9T&LCP <G.F> Black
ITEM	PART NAME	Q'TY	FINISH

凱帛企業有限公司
 KABO ENTERPRISE CO., LTD.

DESCRIPTION(內容):
 Micro USB B母 SMT R/A 5PIN TYPE 黑膠 LCP&PA9T 沉版平口防水 墊圈硅膠 鍍金G/F

PART NO:
 (料號) **Micro USB-B-1102-0593N**

DWG NO(圖號):

DRAWN(製圖):

CHECKED(確認):

APPROVAL(核准):

GENERAL TOLERANCE:
 (公差)

X ±0.50 X' ±2.0'
 Y ±0.30 Y' ±1.0'
 ZX ±0.20 ZX' ±0.5'

SCALE(比例):
 1:XX

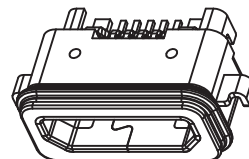
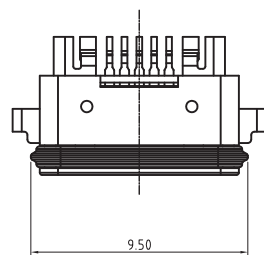
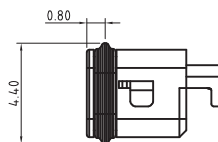
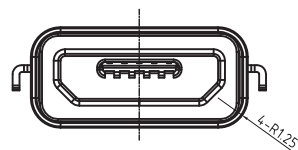
REV: **A**

UNIT: **mm**

SIZE: **A4**

SHEET: **1/1**

REV	DESCRIPTION	DATE
1		2019.10.17
2		
3		
4		

A**B****C****D****E****1****1****2****2****3****3**

凱帛企業有限公司
KABO ENTERPRISE CO., LTD.

DESCRIPTION(內容)

Micro USB B母 SMT R/A 5PIN TYPE 黑膠
LCP&PA9T 沉版平口防水 墊圈硅膠 鍍金G/F

PART NO:
(料號) **Micro USB-B-1102-0593N**

DWG NO(圖號):

DRAWN(製圖)

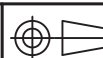
CHECKED(確認):

APPROVAL(核准):

GENERAL TOLERANCE:
(公差)

X ±0.50 X' ±2.0°
Y ±0.30 Y' ±1.0°
Z ±0.20 Z' ±0.5°

SCALE(比例):
1:XX

REV: **A**

UNIT:

mm

SIZE:

A4

SHEET:

1/1

REV

1**2****3****4**

DESCRIPTION

DATE

2019.10.17**A****B****C****D****E**